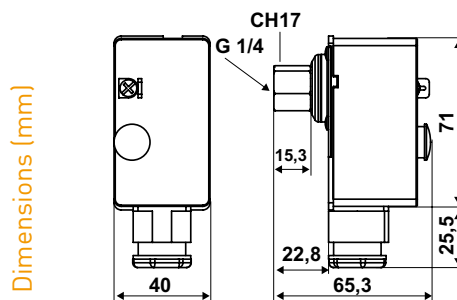


B01BMX

Maximum pressure switch with manual reset, IP44

Safety pressure switch with manual reset, suitable for heating systems.

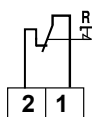


	Range bar	Differential minimum for reset	Sensitive element max. pressure bar	Connection	Protection degree	Contact type
B01BMX	2 ÷ 5,5	0,6 bar	7	female G 1/4	IP44	NC

1 Bar = 100Kpa

ELECTRICAL FEATURES

Microswitch with manual reset.



Nominal insulation tension	Ui 380V~		
Continuous duty nominal current	Ith 15A		
Operating nominal current Ie:	220V~	250V~	380V~
Resistive load	AC-12	-	15A 10A
Inductive load	AC-15	-	2,5A 1,5A
Continuous current	DC-13	0,2A	-

HOMOLOGATION AND STANDARDS

Complies with EN 60730-1 and EN 60730-2-6 standards.

CE 0497

INSTALLATION

Direct installation on the pipe.

If the fluid temperature exceeds the max allowed value, connect the pressure switch to the pipe by mean of a spiral metallic tube to better dissipate the heat.

OPERATION

When pressure reaches the minimum set value: 1-2 opens.

The reset function (closes 1-2) is only possible by re-arming the pressure switch by pushing the reset button once the pressure inside the pipe is above the minimum set value.

FEATURES

Fluid contact parts made in stainless steel, laser welded.

Base and cover in shockproof thermoplastic material.

Output connections in shockproof and self-extinguishing thermoplastic V0 cable gland.

Sensible element with membrane made in stainless steel.

Internal adjustment: the case is ready to be sealed after the calibration.

Maximum temperature of the controlled fluid: 120°C.

Pressure switch max body temperature: $-35 \div 80^{\circ}\text{C}$.

Storage and transport temperature: $-35 \div 80^{\circ}\text{C}$.

Unit weight: 0,14Kg.