



K275Y011

Versions and product codes

Product code	Power supply	Use with mixing valves
K275Y011	230 V - 50 Hz	R296, R297

Spare parts

Mixing valve	Spare kit for installation on the valve
R296	P275Y003
R297 3/4", 1", 1-1/4"	P275Y004
R297 1-1/2", 2"	P275Y001
R297 Flanged	P275Y001

Technical data

- Type of actuator: 3-point floating
- Supply voltage: 230 Vac, 50 Hz
- Command type: automatic or manual
- Torque: max 15 Nm
- Power consumption: 6 VA
- Rotation time: 73 s / 90°
- Degree of protection: IP44
- Protection class: II
- Connection cable: 4 x 0,5 mm²; length 1 m
- Ambient temperature: 0÷55 °C
- Fluid temperature: according to valve's specifications
- Storage temperature: -20÷80 °C
- Weight: 480 g (without valve)
- Maintenance: maintenance free

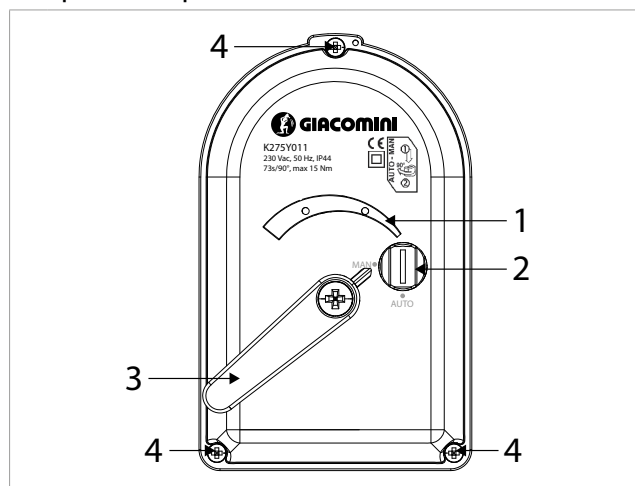
Description

The K275Y011 actuator is used to control the R296 and R297 mixing valves in heating and cooling systems.

The actuator can be controlled from the KLIMAbus KPM30 or KPM31 control unit.

Operation

Front panel description

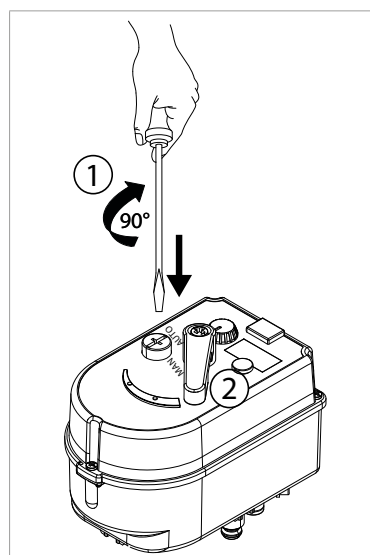


Legend

1	Mechanical indication reversible
2	Button for manual/auto control
3	Handle for manually controlling the drive, which also serves for the indication of the valve position
4	Screws for cover removing

Manual control

In the case of power failure or for service purposes, user can manually operate with the actuator.



- 1) With a screwdriver push and turn off the button to the MAN position.
- 2) Manually move the handle to desired position.



Note.

When the button for manual operation is in MAN position, the actuator stays in temporary position regardless of control signal.

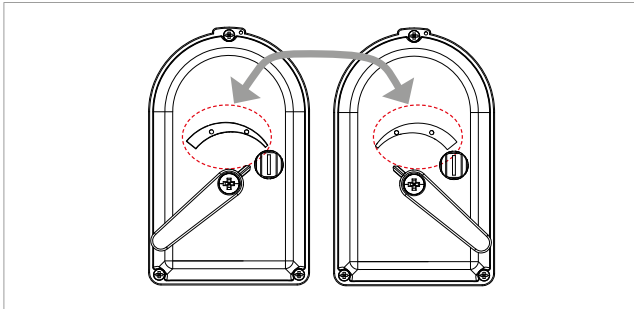
Installation



Note: installation on the valves
To correctly install the K275Y011 actuator on Giacomini valves, refer to the instructions of the valves.

Indicator position

According to the cables connection (counterclockwise or clockwise rotation direction), set the indicator regarding to your application.



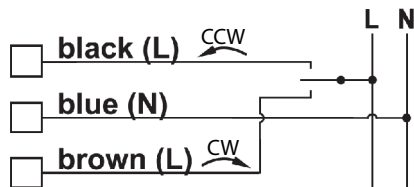
Electrical connection



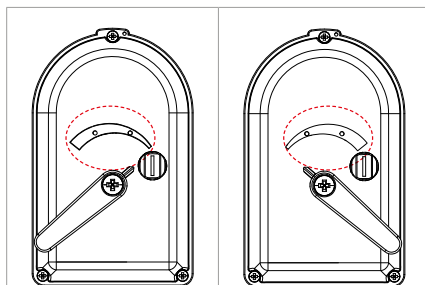
Warning.
Make sure the power supply voltage is disconnected while the connections are being carried out.



Warning.
Make and check the electrical connections before powering the system. Short circuits or incorrectly connected cables could cause permanent damage to the electrical components of the actuator.

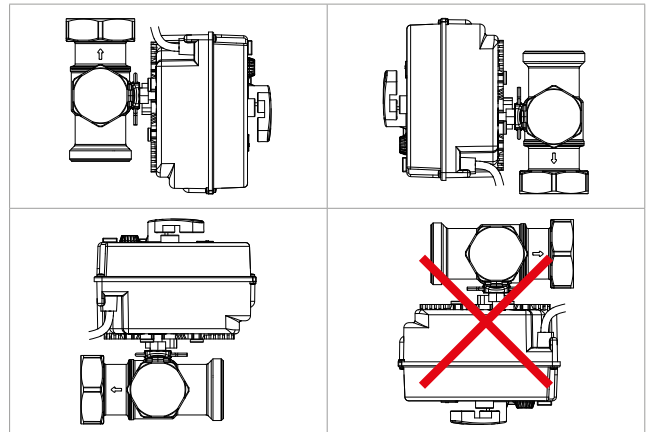


Wire color	Function
Black	Supply 230 Vac (counterclockwise rotation direction)
Blue	Neutral
Brown	Supply 230 Vac (clockwise rotation direction)

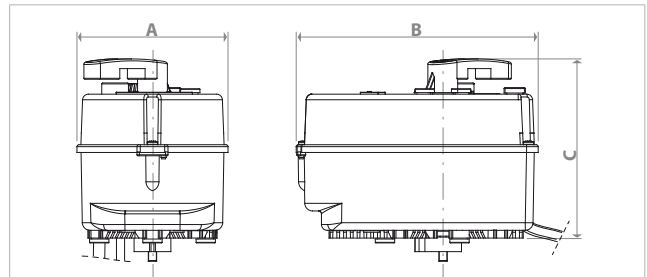


Wire color	Function	Function
(Black) Nero	Opening CCW	Closing
(Blue) Blu	Neutral	Neutral
(Brown) Marrone	Closing	Opening CW

Recommended mounting position



Dimensions



Product code	A [mm]	B [mm]	C [mm]
K275Y011	78	125	93

Normative references

- EMC 2004/108/CE
- LV 2006/95/CE
- PAH 2005/69/CE

Product specifications

K275Y011

3-point floating actuator to control the R296 and R297 mixing valves. Supply voltage: 230 Vac, 50 Hz. Command type: automatic or manual. Torque: max 15 Nm. Power consumption: 6 VA. Rotation time: 73 s / 90°. Degree of protection: IP44. Protection class II. Connection cable: 4 x 0,5 mm²; length 1 m. Ambient temperature: 0÷55 °C. Fluid temperature: according to valve's specifications. Storage temperature: -20÷80 °C. Weight: 480 g (without valve). Maintenance: maintenance free. Complies with the Directive EMC 2004/108/EC and Low Voltage Directive 2006/95/EC.

Additional information

For more information, go to www.giacomini.com or contact our technical assistance service: ☎ +39 0322 923372 📠 +39 0322 923255 ✉ consulenza.prodotti@giacomini.com
This document provides only general indications. Giacomini S.p.A. may change at any time, without notice and for technical or commercial reasons, the items included herewith.
The information included in this technical sheet do not exempt the user from strictly complying with the rules and good practice standards in force.
Giacomini S.p.A. Via per Alzo, 39 - 28017 San Maurizio d'Opaglio (NO) Italy