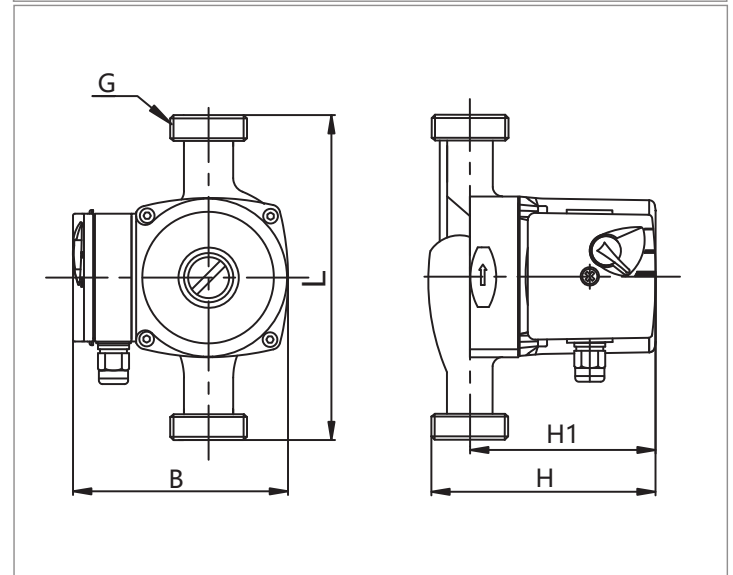
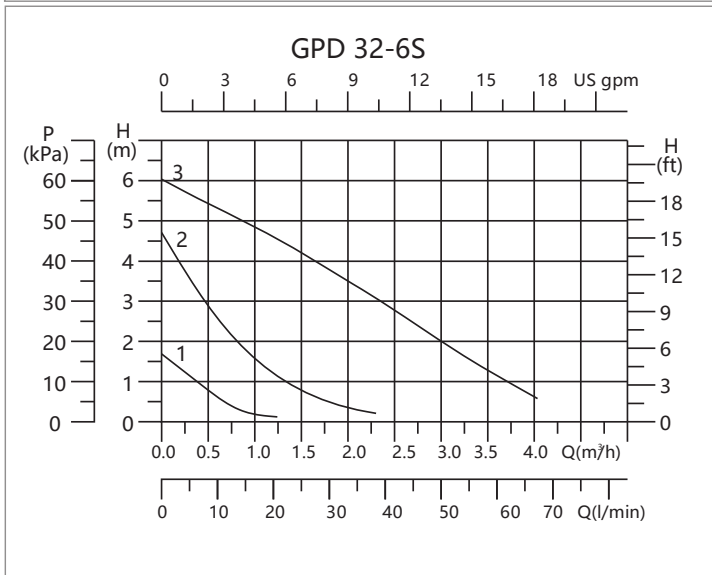
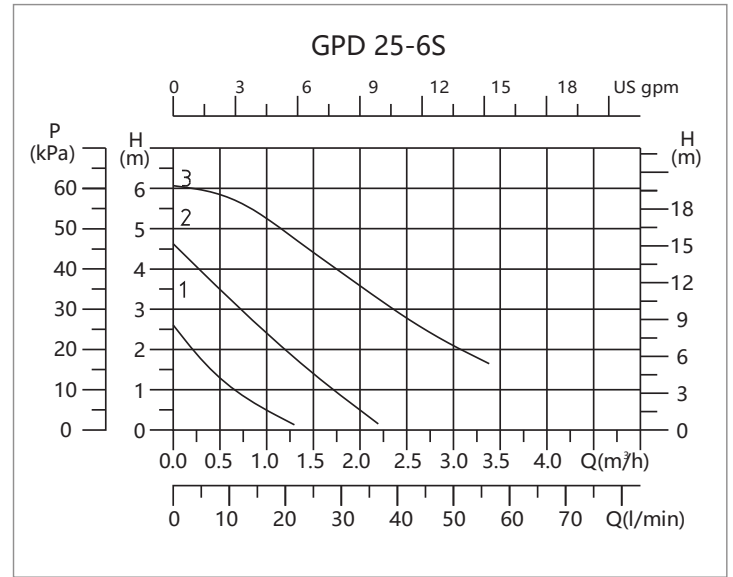
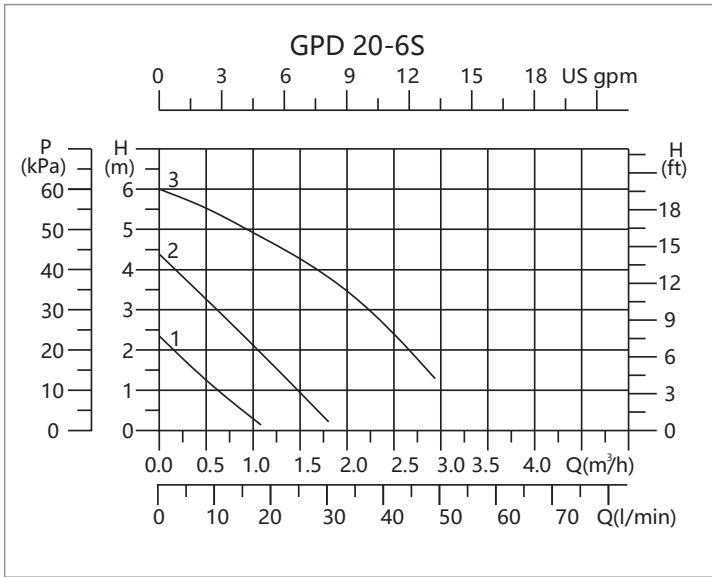


Technical data SPERONI 20(25,32)/60-180



Model	Max. Flow (m³/h)	Power (W)	Rated Flow (m³/h)	Rated Head (m)	Rated Current (A)		Voltage (V)		Material of pump housing			
					115V	230V	115	230	Cast Iron	Plastic	Copper	Stainless steel
GPD20-6S	2.8	100	1.8	3.6	0.9	0.45	●	●	●	●	●	●
GPD25-6S	3.3	100	2.0	3.5	0.9	0.45	●	●	●		●	●
GPD32-6S	4.0	100	2.0	3.5	0.9	0.45	●	●	●			

Model	Dimension					Weight (Kg)		Connection/Flange	Package size(mm×mm×mm)
	L	H	H1	B	G	N.W.	G.W.		
GPD20-6S	130	130	105	130	1"	2.3	2.6	1"-3/4"	360×300×310
GPD25-6S	130	130	105	130	1½"	2.6	3.2	1½"-1"	360×300×310
	180								420×300×310
GPD32-6S	180	130	105	130	2"	2.9	3.8	2"-1¼" or 1½"	420×300×310

Net weight: weight of pump, accessory not included.

Gross weight: manual, connection and package included.

● represents optional product specification.