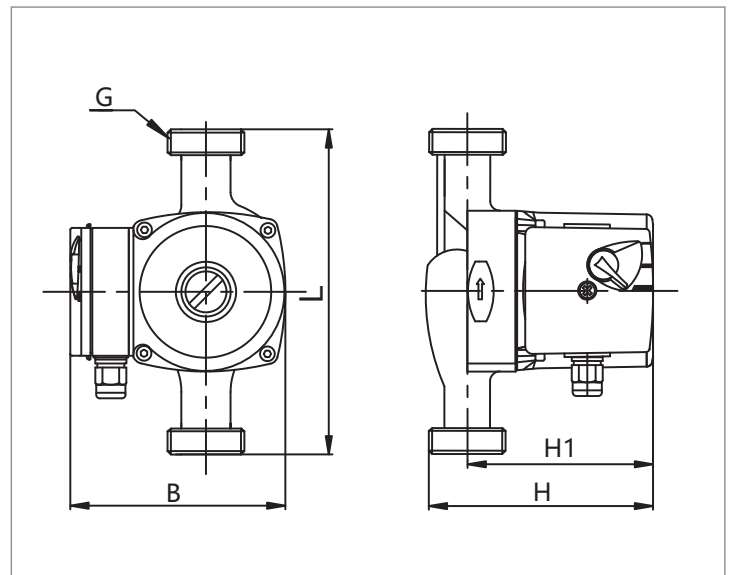
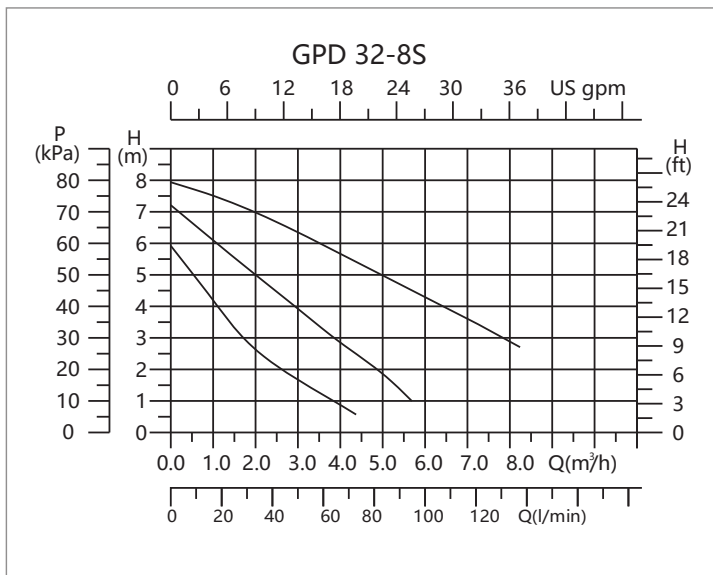
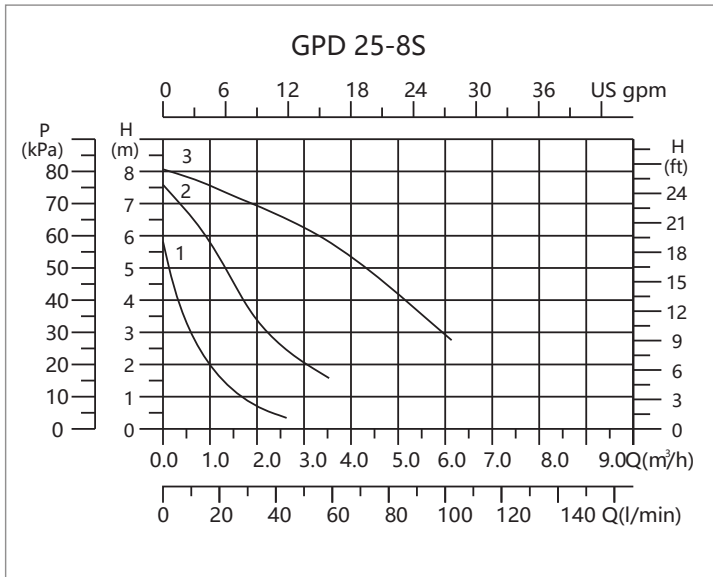


# Technical data SPERONI 25,32/80-180



Model	Max. Flow (m³/h)	Power (W)	Rated Flow (m³/h)	Rated Head (m)	Rated Current (A)		Voltage (V)		Material of pump housing			
					115V	230V	115	230	Cast Iron	Plastic	Copper	Stainless steel
GPD 25-8S	6	245	3.2	6.0	2.2	1.1	●	●	●	●	●	●
GPD32-8S	8	245	4.0	5.5	2.2	1.1	●	●	●			●

Model	Dimension					Weight (Kg)		Connection/Flange	Package size(mm×mm×mm)
	L	H	H1	B	G	N.W.	G.W.		
GPD25-8S	180	170	130	150	1½"	4.8	5.5	1½"-1"	420×350×205
GPD32-8S	180	170	130	150	2"	4.6	5.6	2"-1¼" or 1½"	420×350×205

Net weight: weight of pump, accessory not included.  
 Gross weight: manual, connection and package included.  
 ● represents optional product specification.