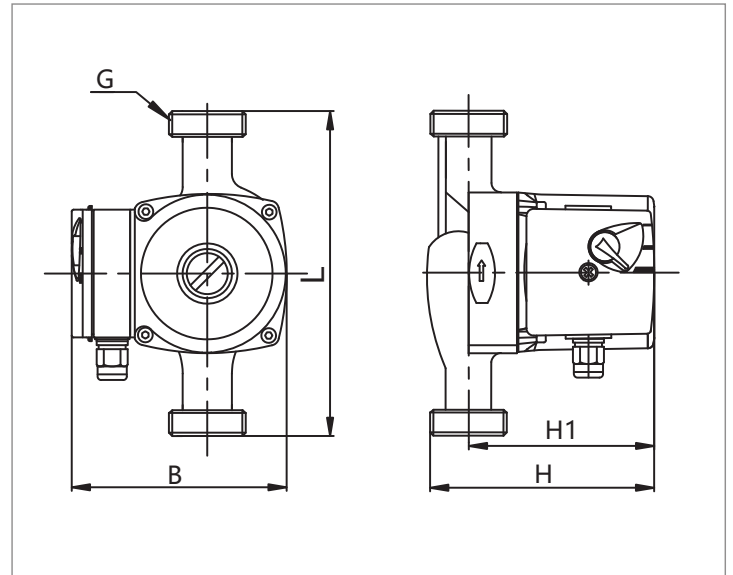
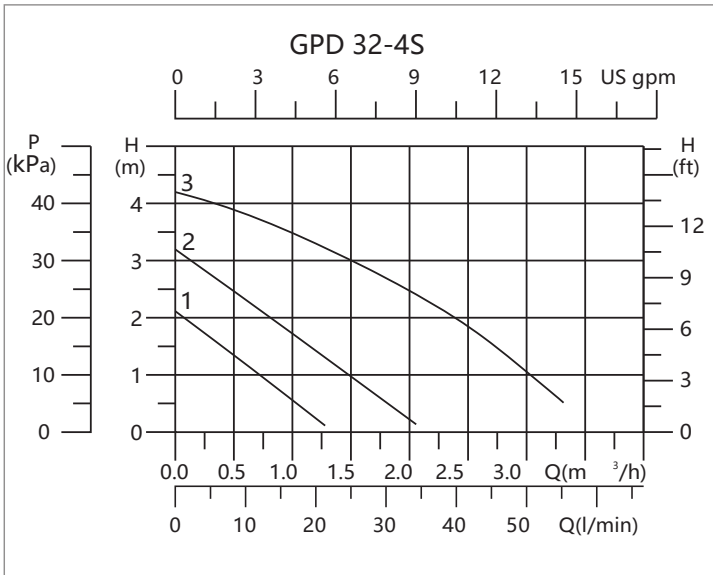
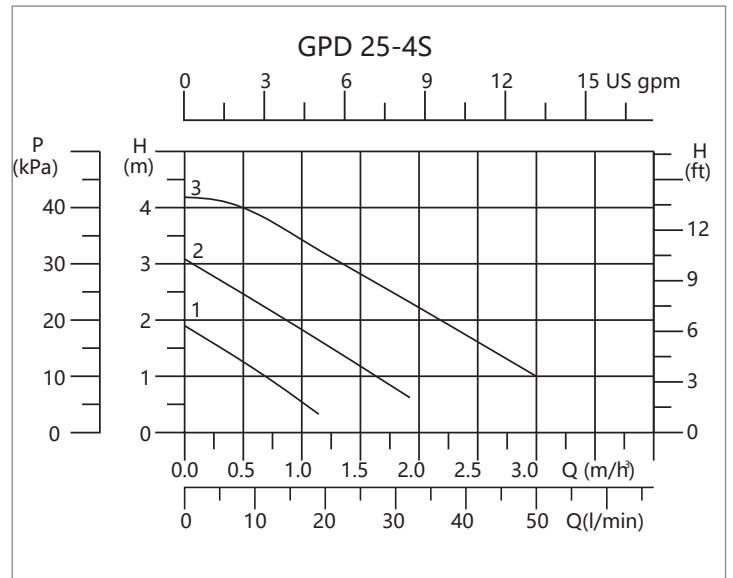
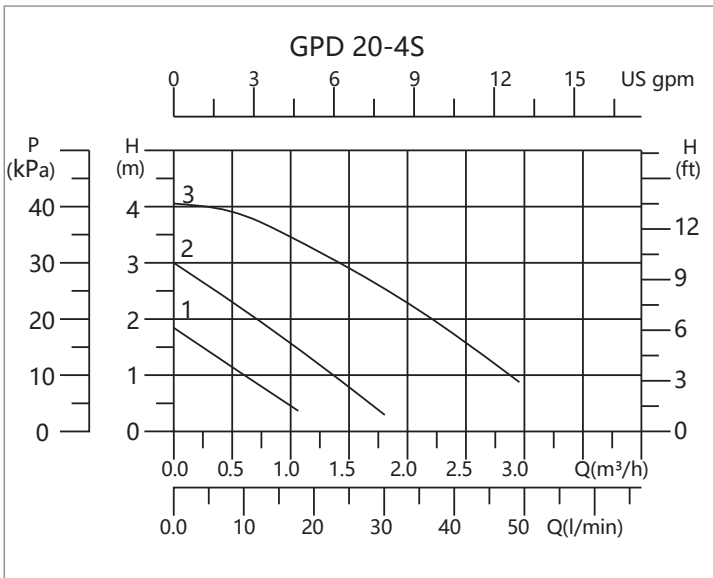


Technical data SPERONI 20(25,32)/40-180



Model	Max. Flow (m³/h)	Power (W)	Rated Flow (m³/h)	Rated Head (m)	Rated Current (A)		Voltage (V)		Material of pump housing			
					115V	230V	115	230	Cast Iron	Plastic	Copper	Stainless steel
GPD20-4S	2.8	65	1.6	2.6	0.56	0.28	●	●	●	●	●	●
GPD25-4S	3.0	65	1.6	2.6	0.56	0.28	●	●	●		●	●
GPD32-4S	3.5	65	1.8	2.6	0.56	0.28	●	●	●			

Model	Dimension(mm)					Weight (Kg)		Connection/Flange	Package size(mm×mm ×mm)
	L	H	H1	B	G	N.W.	G.W.		
GPD20-4S	130	130	105	130	1"	2.1	2.4	1"-3/4"	360×300×310
GPD25-4S	130	130	105	130	1½"	2.4	3	1½"-1"	360×300×310
	180								420×300×310
GPD32-4S	180	130	105	130	2"	2.7	3.5	2"-1¼" or 1½"	420×300×310

Net weight: weight of pump, accessory not included.

Gross weight: manual, connection and package included.

● represents optional product specification.